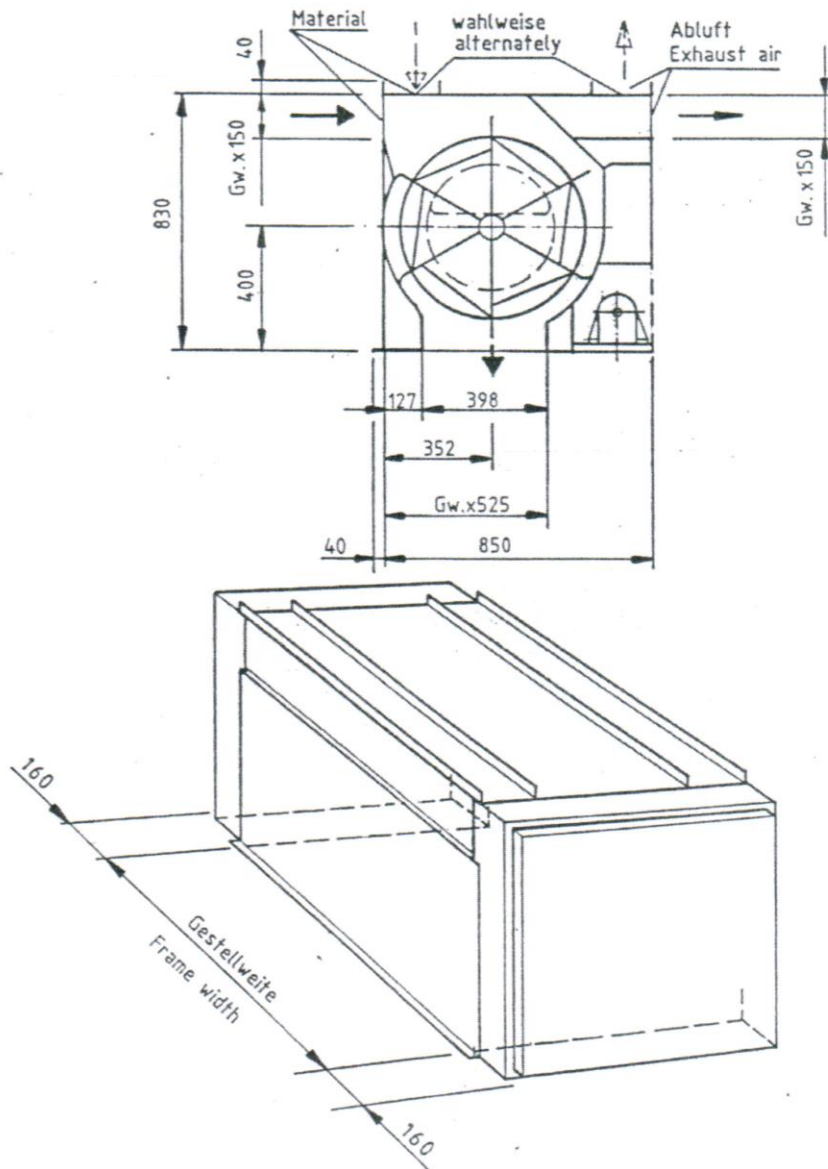


Data sheet - Air fiber separator AFS



Working width 1000 / 1250 / 1500 / 2000 / 2500 mm

The AFS is used for air and dust separation.

Special working widths are also available on request.

The necessary connecting pieces are available as special accessories.