

**Data sheet - Transport fan TV 300**

The TV 300 transport fan is suitable for the pneumatic transport of fibers.

The fan housing can be rotated by 45°, a conversion to right or left hand version is possible.

The standard version is made with a steel worm housing and has a material wing made of aluminum.

As a special version, we manufacture the transport fan, e.g. for the transport of glass fibers, the worm housing as well as the impeller made of wear-resistant steel.

Another special design for the transport of moist materials is also possible in stainless steel.

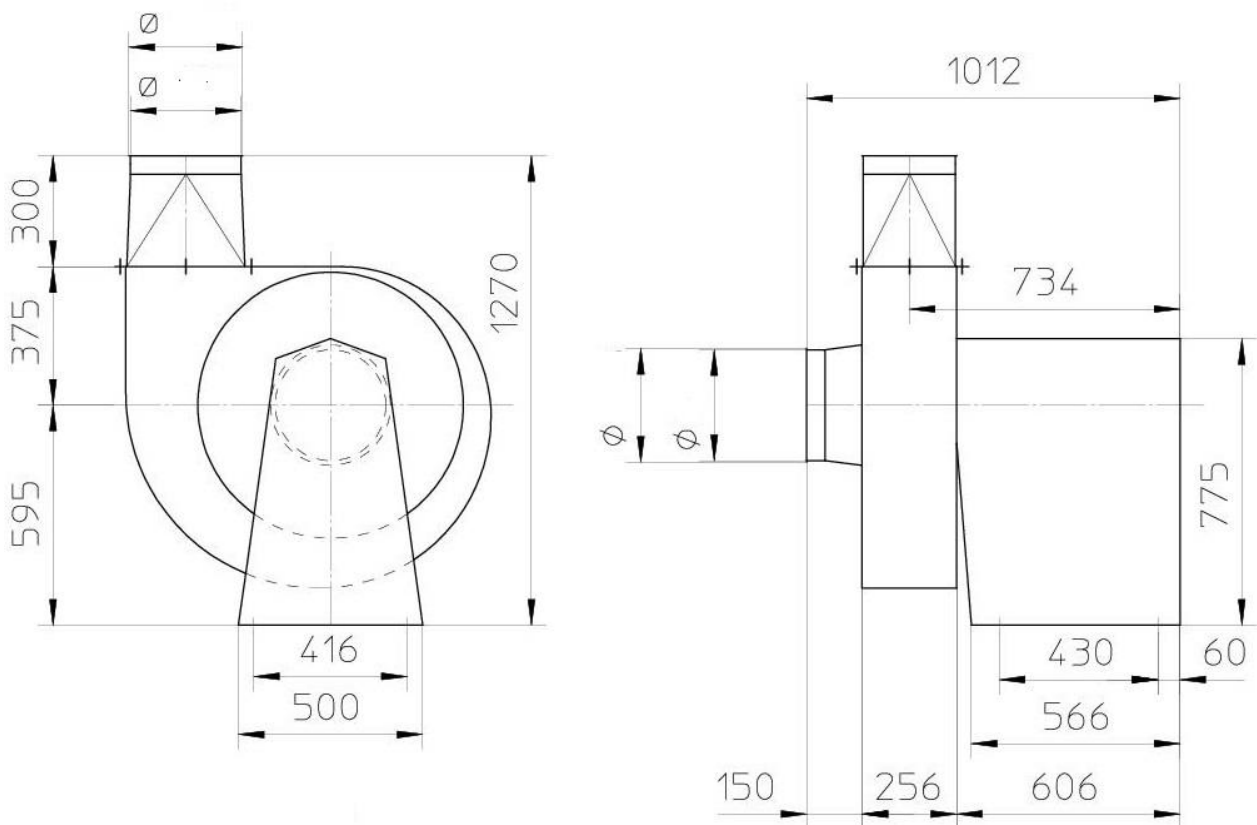
The transport fan can be supplied with or without a blow-in and suction nozzle (diameter as required).

Paint in RAL color according to customer requirements, as textured or smooth paint.

We can also offer the fan powder-coated in RAL color according to customer requirements.

As a drive, we can offer various manufacturers with outputs of 4 kW, 5.5 kW and 7.5 kW and

Special voltages on request.



Data sheet - Transport fan TV 300

