

Data sheet - distributor flap

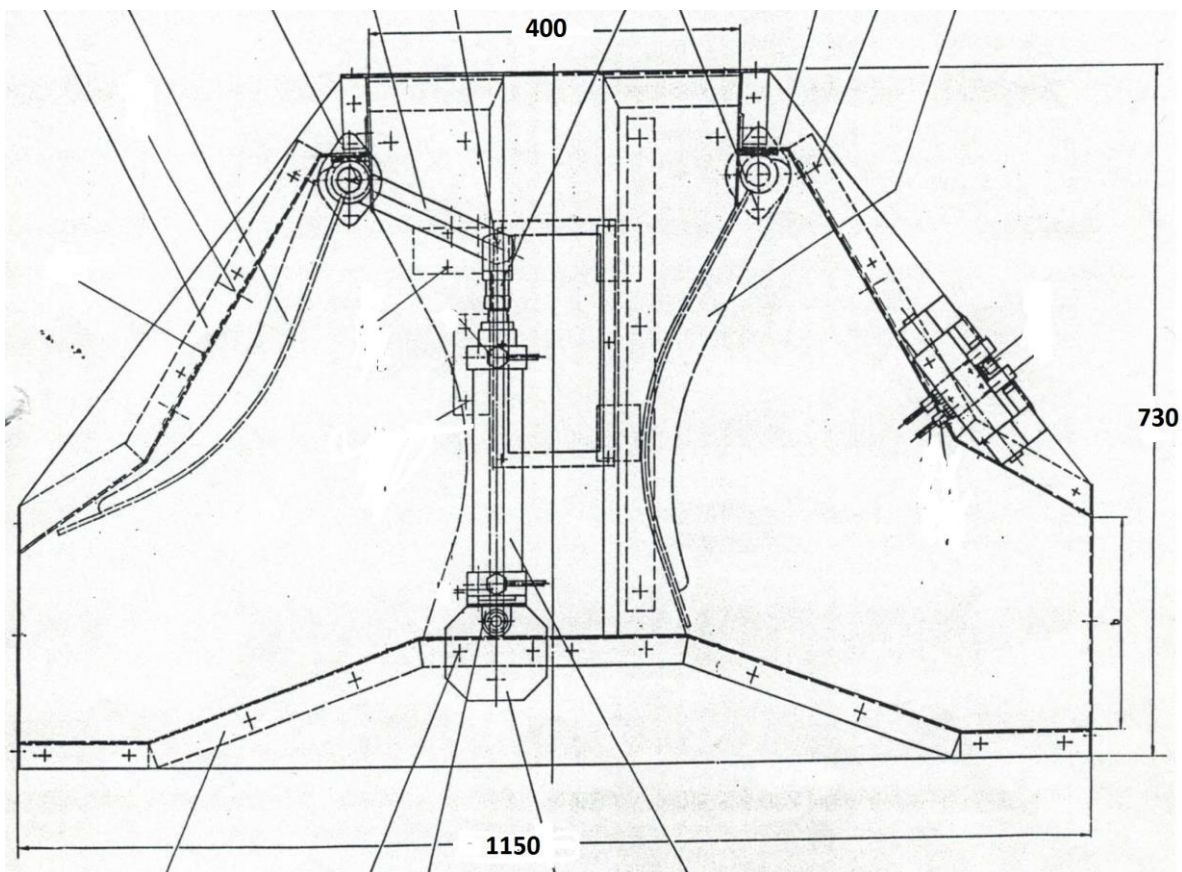
The distributor cap is used to change the direction of the material flow within the material line system.

The housing is made of galvanized sheet metal.

The two flaps are each controlled by a pneumatic cylinder.

Valves optionally with control voltage 24 V - DC or 110 V - DC.

The distributor cap can be supplied with or without a connection piece (diameter as required).



Data sheet - distributor flap

We manufacture the frame widths GW: 300 mm and 350 mm

